

THANE Fitness®

# TOTAL FLEX™



**USER'S  
GUIDE**



**TABLE OF CONTENTS**

**NOTES**

- A. Notice ..... 1
- B. Important Safety Notice..... 1 - 2
- C. Total Flex™ Main Components ..... 3
- D. Assembling the Total Flex™ ..... 4
  - Power Rod Assembly ..... 4
  - Leg Extender Assembly ..... 4 - 6
- E. Setting Up the Total Flex™ ..... 7
  - Opening the Total Flex™ ..... 7
  - Inserting the Foot Plate ..... 7
  - Adjusting the Seats ..... 8 - 9
- F. Use Of Attachments ..... 10
  - 1. Power Pods ..... 10
  - 2. Handles ..... 11 - 12
  - 3. Ankle Cuffs ..... 13
  - 4. Foot Plate ..... 13
  - 5. Head Rest ..... 13 - 14
  - 6. Leg Extender ..... 14 - 15
- G. Exercise Resistance ..... 16
- H. Storing the Total Flex™ ..... 16 - 17
- I. Maintaining the Total Flex™ ..... 17
  - General Maintenance ..... 17
  - Resistance Bands ..... 18 - 19
- J. Total Flex™ Tips and Suggestions ..... 20

---

---

---

---

---

---

---

---

---

---

---

---

---

---

---

---

---

---

---

---

---

---

---



## J. Total Flex™ Tips and Suggestions

1. Decide on the most convenient time to exercise and stick to it, exercising must become a routine.
2. It might take 1 or 2 workout sessions to become familiar with the Total Flex™ settings and adjustments.
3. Try to exercise 3 to 5 times a week for 20 to 30 minutes a session. Alternatively, the session can be as long or as short as time and motivation allow.
4. Allow for at least 1 day's rest per week to allow the body to recover.
5. Drink adequate fluids before, during and after exercising.
6. Keeping a daily balanced diet keeps your body properly fueled and ready for exercising.
7. To stay motivated, we recommend, that you:
  - a. Change exercise programs from time to time.
  - b. Alternate your exercise program with cardiovascular training, such as walking, running, cycling or swimming, to increase the effectiveness of your training.
8. Before starting to exercise, it is important to stretch in order to warm up your muscles and prevent injury. The Total Flex™ Exercise Chart has a stretching program that you should follow before starting to exercise.
9. When you exercise, breathe deeply and rhythmically. Do not hold your breath while, as doing so raises your blood pressure.
10. Do not go too fast. Perform the exercises with proper form at the rate of approximately 2 seconds per repetition.

## A. Notice

**Important: Do not start exercising before fully studying this User's Guide and the accompanying Exercise Chart.**

- This User's Guide provides instruction on setting up the Total Flex™, and proper use, storage and maintenance. Use this manual in conjunction with the Exercise Chart.
- The Exercise Chart provides exercise instructions to achieve your desired results.

## B. IMPORTANT SAFETY NOTICE

Please read and follow this User's Guide completely before using your Total Flex™ machine.

Keep this guide in a safe place and make sure everyone who uses the Total Flex™ also reads this guide. Have a safe and enjoyable workout.

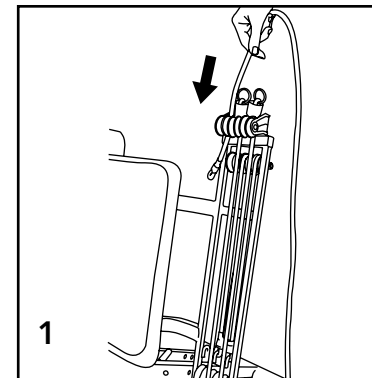
**WARNING: Please consult with your doctor before you start using this equipment. Your doctor should help you ascertain your target heart rate, as determined by your age and physical fitness. Certain training programs and types of exercise equipment may not be suitable for everyone. This is particularly important for those individuals over 35, pregnant women and individuals with existing health problems or problems with balance. If you take medication which affects your heart rate, you must seek medical advice from your doctor before starting your exercise program with this machine.**

1. This product has been tested in accordance with the requirements of EN 957-1, class H – home use only. THE MAXIMUM WEIGHT CAPACITY OF THE TOTAL FLEX™ machine is 300 LBS (136 kg). Persons whose body weight exceeds this limit should NOT use this machine.
2. Carefully inspect the equipment prior to EVERY use. Never use the device if it is not functioning correctly, or if it is damaged.
3. Use this device EXCLUSIVELY for the purpose intended and described in this User's Guide. Do not alter the equipment and only use those accessories which have been recommended by the manufacturer.
4. Ensure that at least 10-13 feet (2-3 meters) of free space is available surrounding the entire unit. It is important that pets, furniture and other objects are kept away from the equipment during its use. You should retain at least 10-13 feet (2-3 meters) of space around the unit.

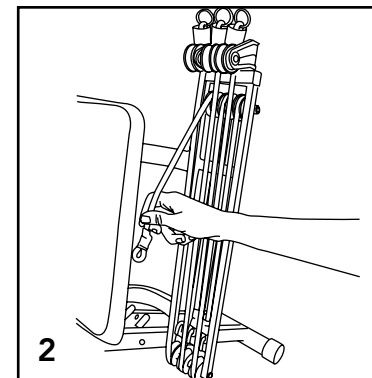
5. THIS EQUIPMENT IS NOT SUITABLE FOR CHILDREN. In order to avoid injuries, keep this and all other fitness equipment out of the reach of children.
6. Handicapped or disabled persons should not use the Total Flex™ without the presence of a qualified health professional or physician.
7. Position the Total Flex™ on a firm, clear, level surface. To protect flooring and avoid damage, the unit should not be pushed across delicate floor coverings (laminated, parquet, carpet, etc).
8. Wear appropriate clothing during training sessions. Training apparel should be comfortable and light, allowing freedom of movement. Wear comfortable training shoes which provide good support and have non-slip soles, such as running shoes or trainers.
9. Always warm up and stretch before each training session.
10. If you feel faint or experience dizziness, nausea, shortness of breath, chest pain, irregular heart beat, or any other abnormal symptoms, STOP the workout at once. CONSULT A PHYSICIAN IMMEDIATELY.
11. Check pins and bolts and tighten if loose.
12. Always choose the proper intensity level that best suits your physical strength and flexibility levels. Know your limits and train within them. Always use common sense when exercising.
13. Begin slowly and get used to the unique movement of the Total Flex™ prior to starting your routine.
14. To avoid serious injury, never place any part of your body between or near any moving parts.
15. DO NOT use any accessories not recommended by the manufacturer. Understand correct use of this machine.
16. Please keep this User's Guide prior to using your Total Flex™ machine to understand the correct use of the equipment.
17. Refer to all of the included assembly guidelines to make certain your unit is properly assembled, and to remind yourself of all maintenance guidelines.
18. Do not place your hands or fingers underneath the unit while it is being used. Keep children away from the unit during use.
19. If you have long hair please tie it up to avoid getting caught in some parts of the equipment.
20. Do not place the unit in direct sunlight, as heat can degrade the non-steel materials on the unit.

**SAVE THESE INSTRUCTIONS**

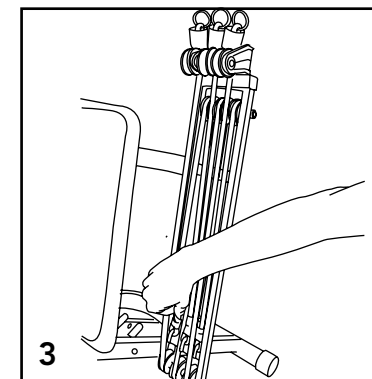
• Fitting New Resistance Bands.



1. Insert the new Resistance Band through the Swivel Pulley bracket (see 1).

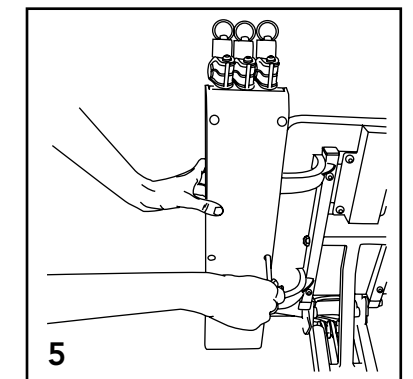
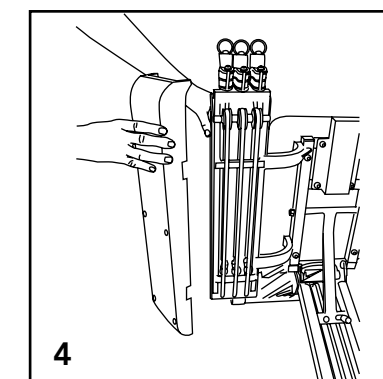


2. Loop the band around the first and then the second Pulley Wheel and hook onto the Pod Hook. (see 2 & 3).



3. If necessary, proceed by replacing the other Resistance Bands, fitting one at a time.

4. Screw the two Power Pod Covers back together starting with the two centre holes (see 4 & 5).



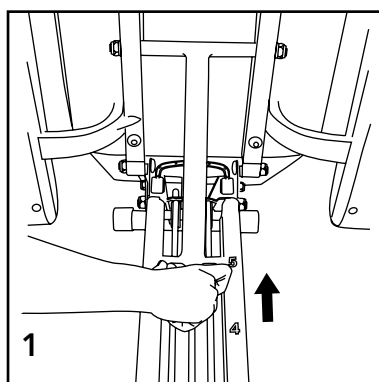


**Replacing Resistance Bands**

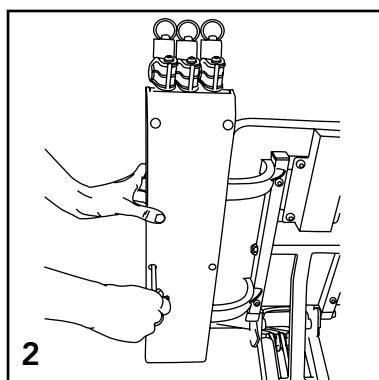
- Removing a Damaged/Worn Resistance Band.

**Important:** Only remove and replace 1 Resistance Band at a time before removing and replacing other Resistance Bands.

To replace worn or damaged Resistance Bands, proceed as follows:



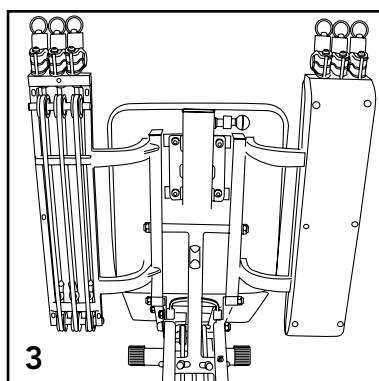
1. With the Total Flex™ in the open position, adjust the Power Pod Seat to setting 5 (see 1).



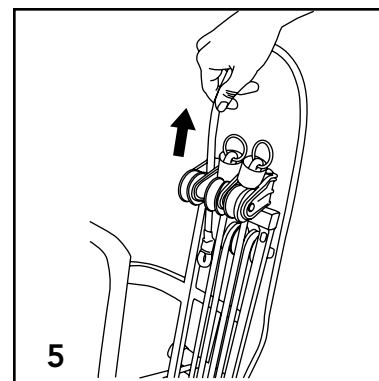
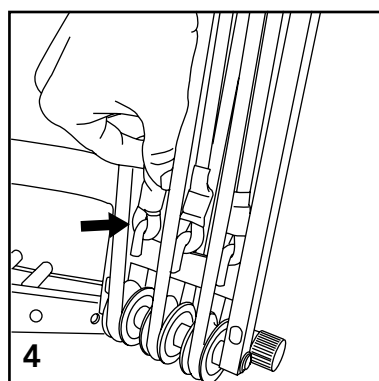
2. Using the screwdriver provided, unscrew the 6 screws holding the two Power Pod Covers together.

**Note:** Unscrew the middle 2 screws last (see 2 & 3).

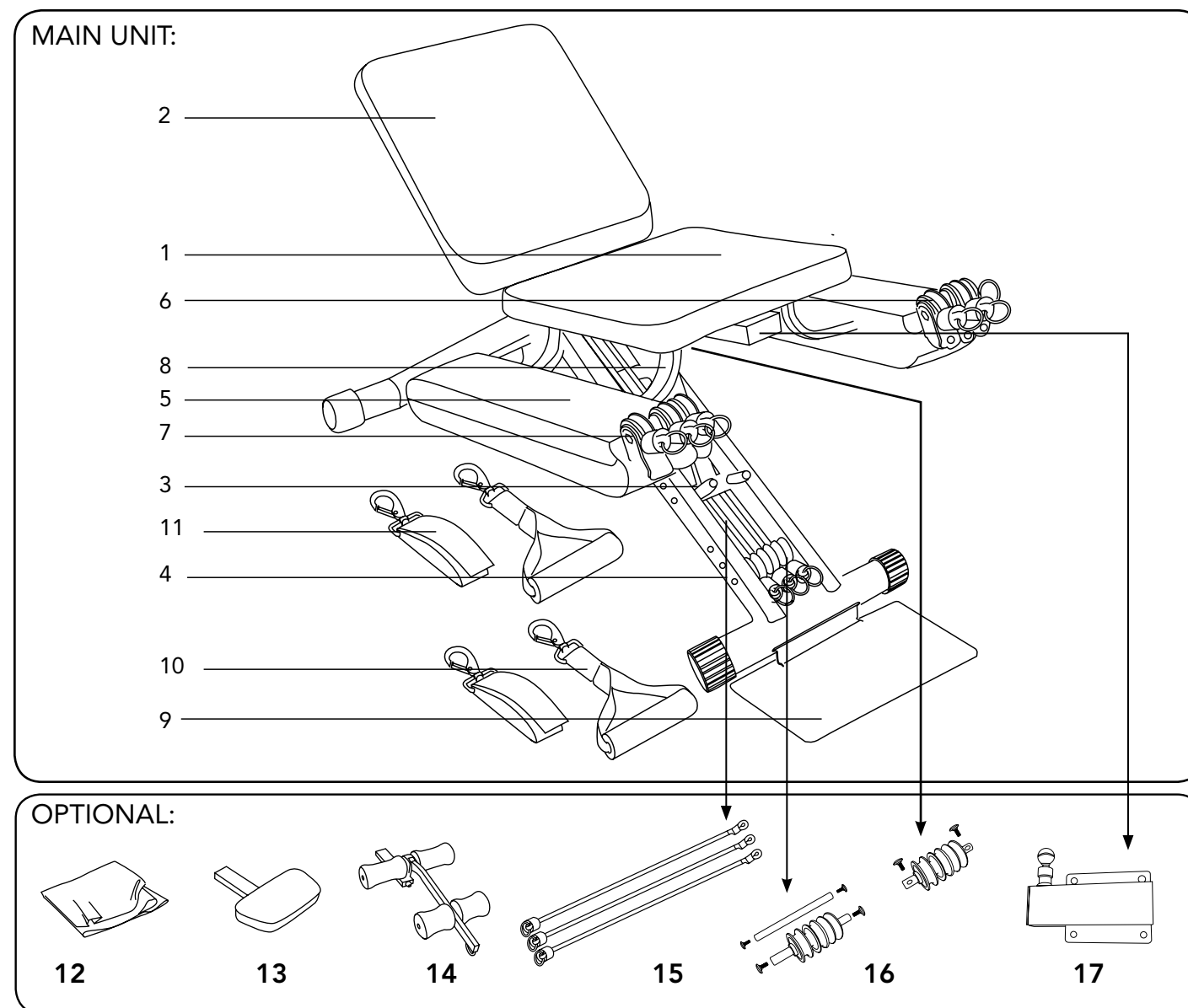
3. Unhook one Resistance Band from the Pod Hook (see 4).



4. Remove the worn/damage Resistance Band by pulling it out through the Swivel Pulley Bracket (see 5).



**C. Total Flex™ Main Components**



- MAIN UNIT:**
1. Power Pod Seat (Settings 1 – 5)
  2. Seat (Settings A – E)
  3. Spring Lock (Settings 1-5; A-E)
  4. Seat Adjustment Holes
  5. Power Pod (x2)
  6. Resistance Band (with O-Ring & Stopper) (3x per Power Pod)
  7. Swivel Pulley (3x per side)
  8. Stabilizer Bracket
  9. Foot Plate
  10. Handle & Clip (x2)
  11. Ankle Cuff & Clip (x2)

- OPTIONAL:**
12. Cover
  13. Head Rest
  14. Leg Extender
  - 15.\* Red Resistance Band (with O-Ring & Stopper) (x3)\*
  - 16.\* 2 sets of Pulley (x3)  
1 Slotted Axel  
1 Axel
  17. Retainer Pin (x1)\*
  17. Receptor Tube

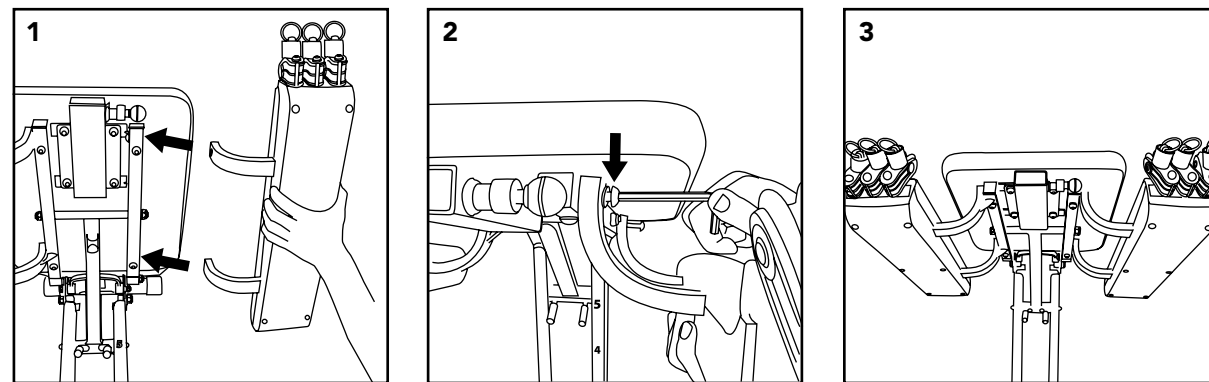
\*Included with the Leg Extender package

## D. Assembling the Total Flex™

The Total Flex™ comes almost fully assembled with the exception of one Power Pod that requires attachment to the side of the Power Pod Seat.

### Power Pod Assembly

1. Please follow the steps under Section E in order to fully open up your Total Flex™. Begin the assembly of the Power Pod after step 5 in Section E.
2. Align the curved brackets of the Power Pod with the two holes in the square tube underneath the Power Pod Seat. See 1 below.
3. Use the 2 bolts with spring washers and the Allen wrench provided with the unit to securely fasten the brackets to the square tubing. See 2 & 3 below.

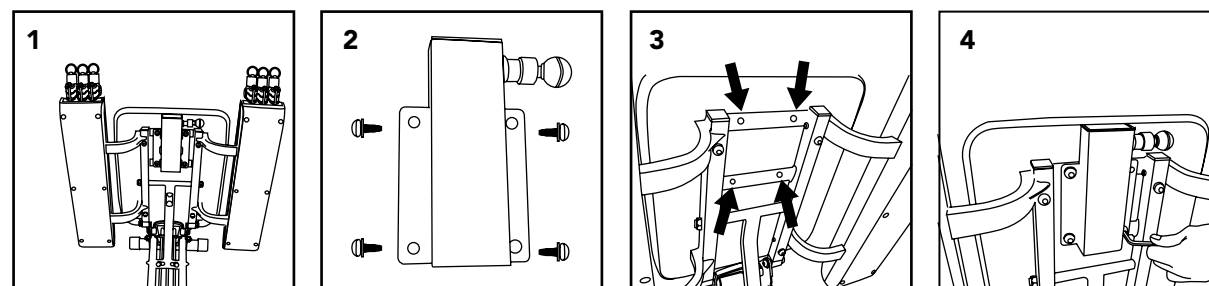


**Note:** If you have purchased the Leg Extender (available as an optional item), additional assembly is required – see below.

### Receptor Tube Assembly (Optional Item)

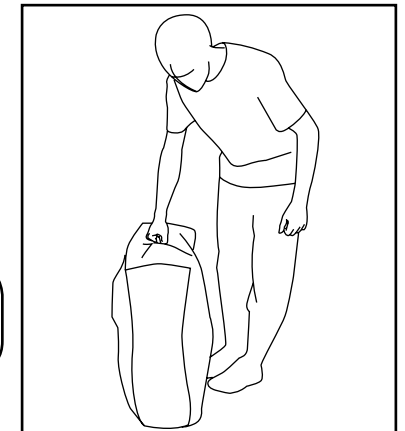
To assemble the Receptor Tube, fit the following parts to the Total Flex™:

1. With the Total Flex™ in the open position (see Section E below: Setting up the Total Flex™ on page 7), adjust the Power Pod Seat to setting 5.
2. Hold the Receptor Tube (see 2 below) and align with the four holes on the underside of the Power Pod Seat (see 3 below). Use the 4 bolts and the Allen wrench provided with the unit to securely fasten the Receptor Tube to the Power Pod Seat (see 4 below).



- To move the Total Flex™:  
Move the machine by using the Carry Handle

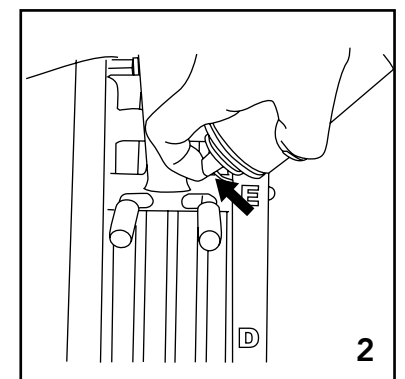
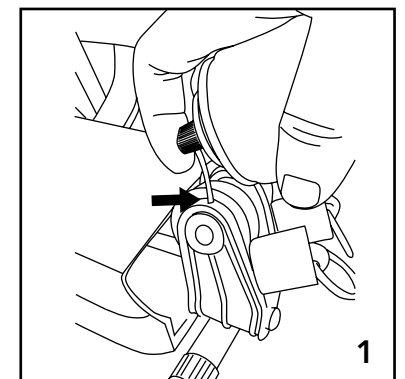
**Warning:** Exercise caution when lifting the machine to avoid back injury.



## I. Maintaining the Total Flex™

### General Maintenance

- The Total Flex™ is for indoor use.
- Inspect the Total Flex™ each time you exercise and check for any loose parts that may need to be tightened due to wear and tear.
- If any of the Pulleys should squeak, use a silicon-based lubricant to spray onto the Pulley Shaft (see 1).  
Note: Do not spray directly onto the Pulley Wheel.
- If the Spring Pin becomes stiff and/or the Seat becomes difficult to move up or down, lubricate the Spring Pins and/or inside of the support leg channels with a silicon-based spray (see 2).
- Wipe away any excess lubrication.



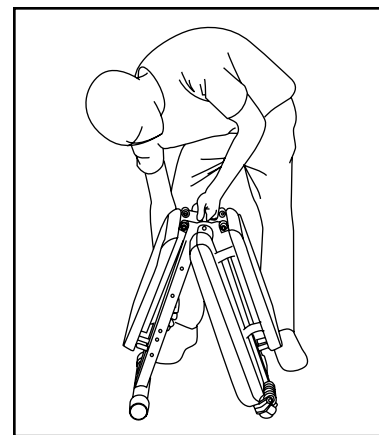
## G. Exercise Resistance

To exercise means that the muscles of your body must move against (or overcome) a force - called resistance, or "weight"

- The human body contains a large number of muscles. The exercises shown on the Exercise Chart are designed to work the different muscles. As muscles differ in strength, the resistance to be engaged when performing the different exercises must be varied to match the strength of the particular muscle(s) being exercised.
- Based on the principle of progressive overload, as you become fitter and as the strength and endurance of your muscles improve, you must gradually increase the resistance applied during each exercise in order to continue making improvements in your fitness level.
- Exercise resistance for the Total Flex™ is provided by two sources:
  - Power Pods: Each Power Pod carries a set of 3 Resistance Bands (varying in resistance or "weight"). By clipping the Handles or Ankle Cuffs to one or more of the Resistance Bands, different levels of exercise resistance can be obtained.
  - Leg Extender: There are 3 red Resistance Bands (of equal resistance) connected to the Support Legs underneath the Seats. By connecting one or more of the Resistance Bands to the Leg Extender, different levels of resistance can be obtained.

## H. Storing the Total Flex™

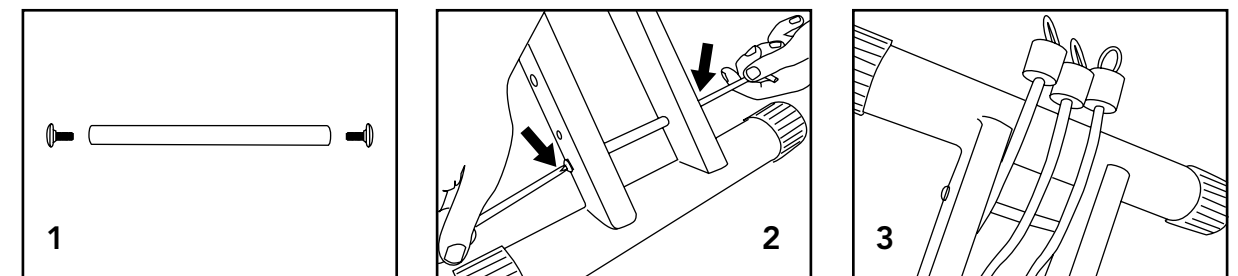
- Adjust the Seats to positions 1 & A.
- Remove the Foot Plate.
- Place one foot next to the slotted pipe. Then slowly lift the Carry Handle, allowing the Support Leg fitted with Roller Wheels to roll towards the other Support Leg.
- Important:** For stability, leave a gap between the folded legs
- Place the Cover (optional item) over the Total Flex™ unit.



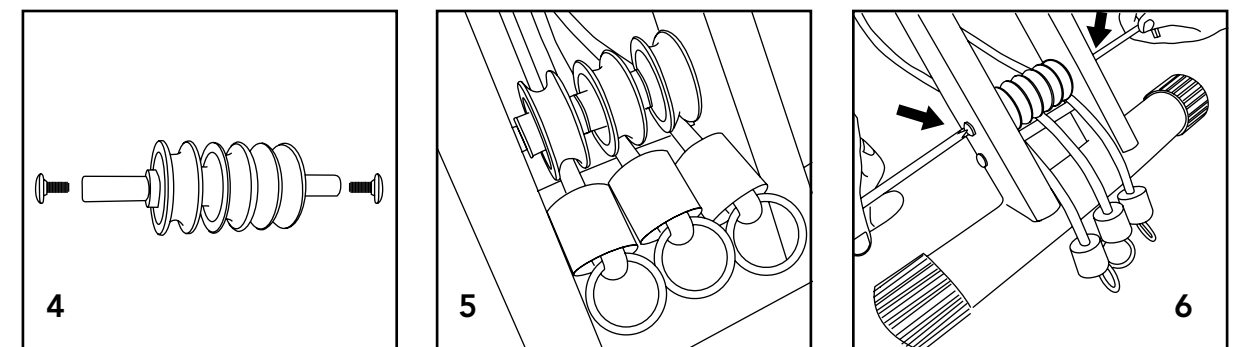
## Leg Extender Assembly (Optional Item)

To use the Leg Extender, fit the following parts to the Total Flex™:

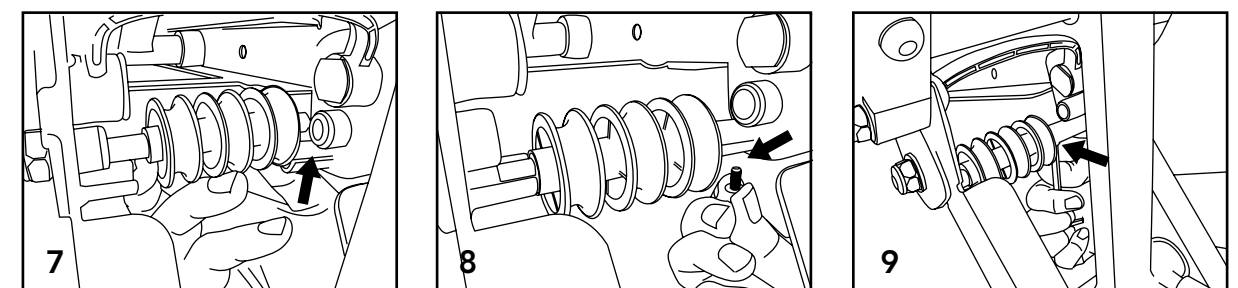
- Place the Retainer Pin between the Support Legs that are underneath the Seat A - E. Align with the two holes and fasten the screws with the Allen wrench provided (see 1 & 2 below).
- Lay the three red Resistance Bands over the Retainer Pin (see below).



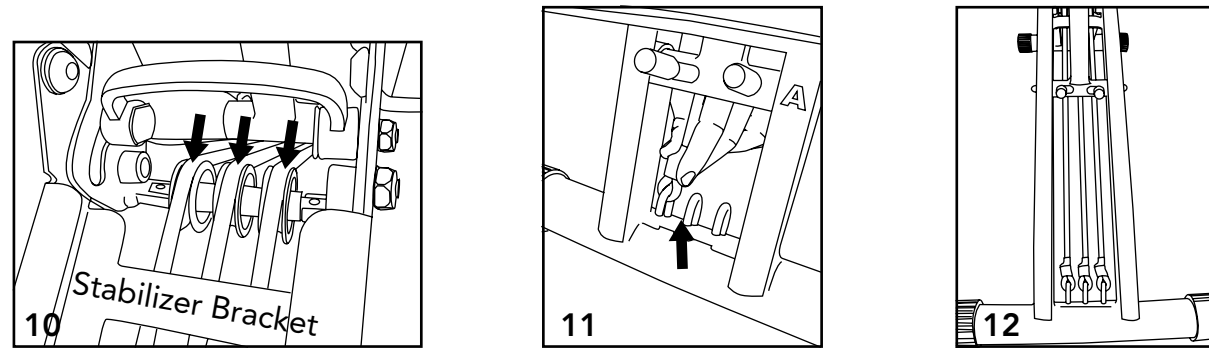
- Place the Pulley Axle (with Pulleys) between the Support Legs that are underneath the Seat A - E. Align with the 2 holes and fasten the screws with the Allen wrench provided (see 6 below).



- Place the Slotted Pulley Axle (with Pulleys) into the brackets (located below the Carry Handle). Align the axle holes with the holes in the bracket and then fasten the axle to the brackets by tightening the 2 screws in with the screwdriver provided (see below).



7. Loop the 3 Red Resistance Bands over the Slotted Axle with 3 Pulley Wheels (see 10 below).

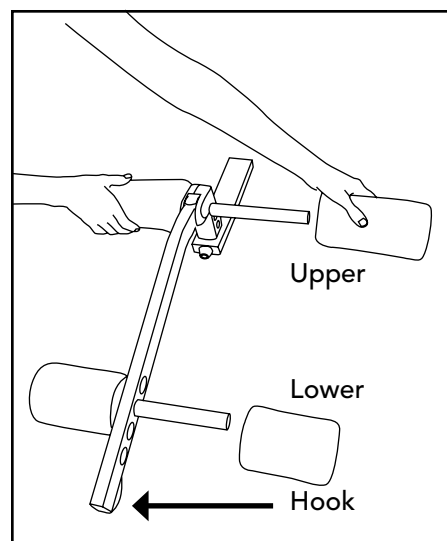


8. Hook Resistance Bands onto Resistance Band Hooks (see 11 above).

**Important:** Before hooking the Bands, ensure that they are underneath the Stabilizer Bracket (not over it - see 10 above). Also, ensure that the Bands are not crossed (see 12 above).

9. Assemble the Leg Extender by inserting the Upper and Lower Roller Pipes into the Leg Extender holes. Then slide the corresponding Upper and Lower Foam Rollers over the respective Roller Pipes.

**Important:** The larger Foam Roller must be fitted to the longer Upper Roller Pipe.

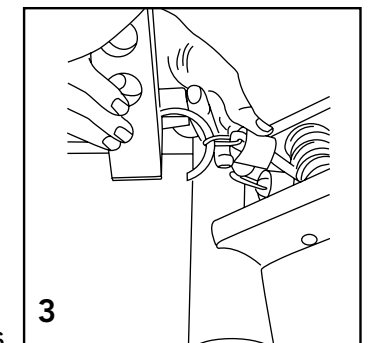
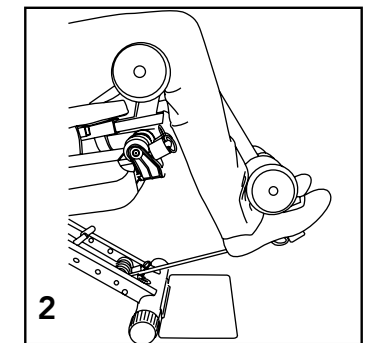
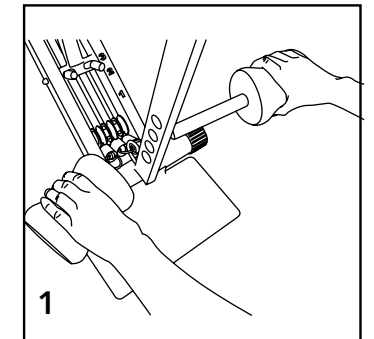


• Adjustment of Foam Roller

**Note:** The position of the bottom Foam Roller must be adjusted according to leg length.

To adjust:

- Pull off the Foam Roller from one side of the Roller Pipe and remove the Pipe from the Extender Tube (see 1).
- There are 4 holes. Select one that positions the Foam Roller on the shin, just above the top of the feet (see 2).
- Push back the Foam Roller over the Roller Pipe.

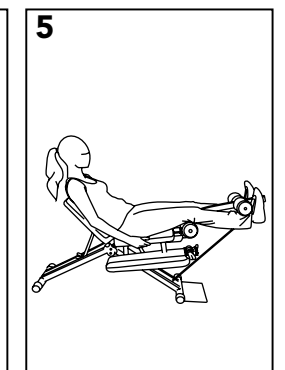
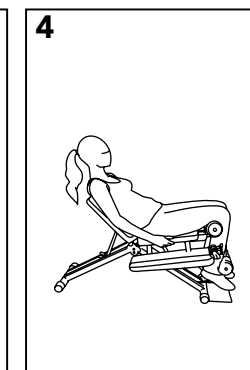
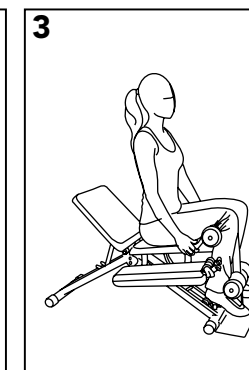
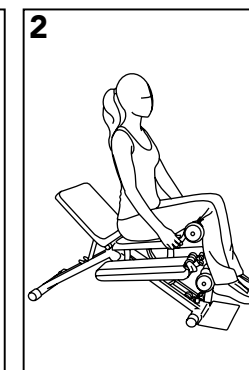
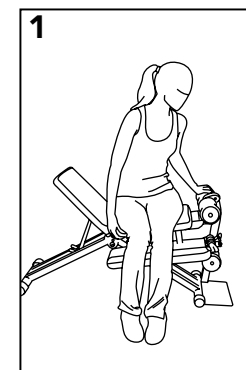


• Engaging Resistance

- There are three red Resistance Bands of equal resistance ('weight') fitted between the Support Legs.
- By hooking one or more of the O-Rings at the ends of the Resistance Bands onto the Hook at the bottom of the Extender Tube, the level of exercise resistance can be varied - see Resistance Chart on Exercise Chart. (see 3).

• Positioning for Exercising

1. Sit sideways on the Power Pod Seat.
2. Swing legs to front and over the top Foam Rollers.
3. Place feet underneath the bottom Foam Rollers.
4. Lean backwards against the Seat.
5. Start exercising by extending both legs forward.





- The Head Rest has 4 settings to accommodate various body types. Engage the setting suitable for your body type.

**Important:** Check that the Lock Pin engages fully when released.

### 6. Leg Extender (Optional Item)

The Leg Extender is an attachment for exercising the legs.

**Note:** Before using the Leg Extender, make sure that the Receptor Tube Assembly is attached to the underside of the Seat (see D – Leg Extender Assembly on page 4).

**Important:** When attaching or detaching the Leg Extender, ensure that the Resistance Bands are disengaged (unhooked) from the Leg Extender Hook.

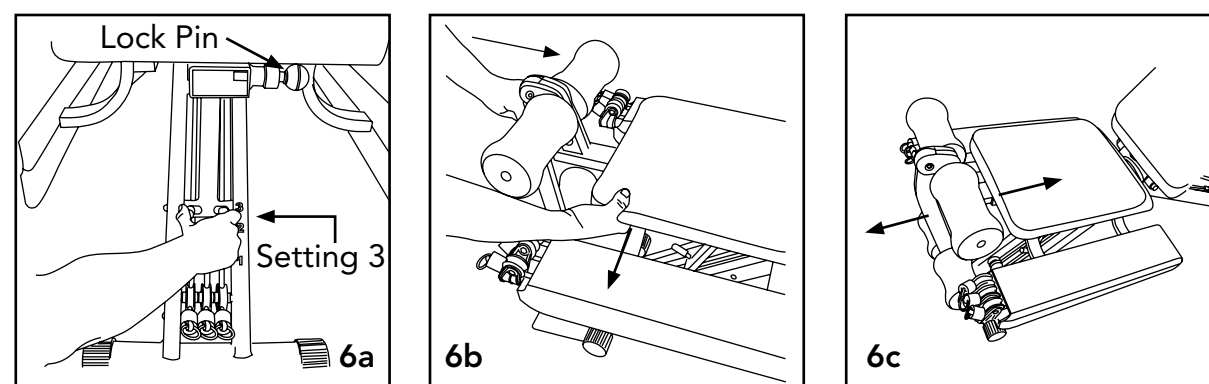
- Connecting the Leg Extender to the Power Pod Seat.

**Important:** When using the Leg Extender, adjust the Seat (with Receptor Assembly) to setting 3 – this is the only setting that must be used (see 6a below).

- Attach the Leg Extender by pulling the Lock Pin on the underside of the Power Pod Seat and insert the Attachment Tube into the Receptor Tube (see 6b below).

- The Leg Extender has 2 settings to accommodate various leg lengths. Engage the setting suitable for your legs (see 6c below).

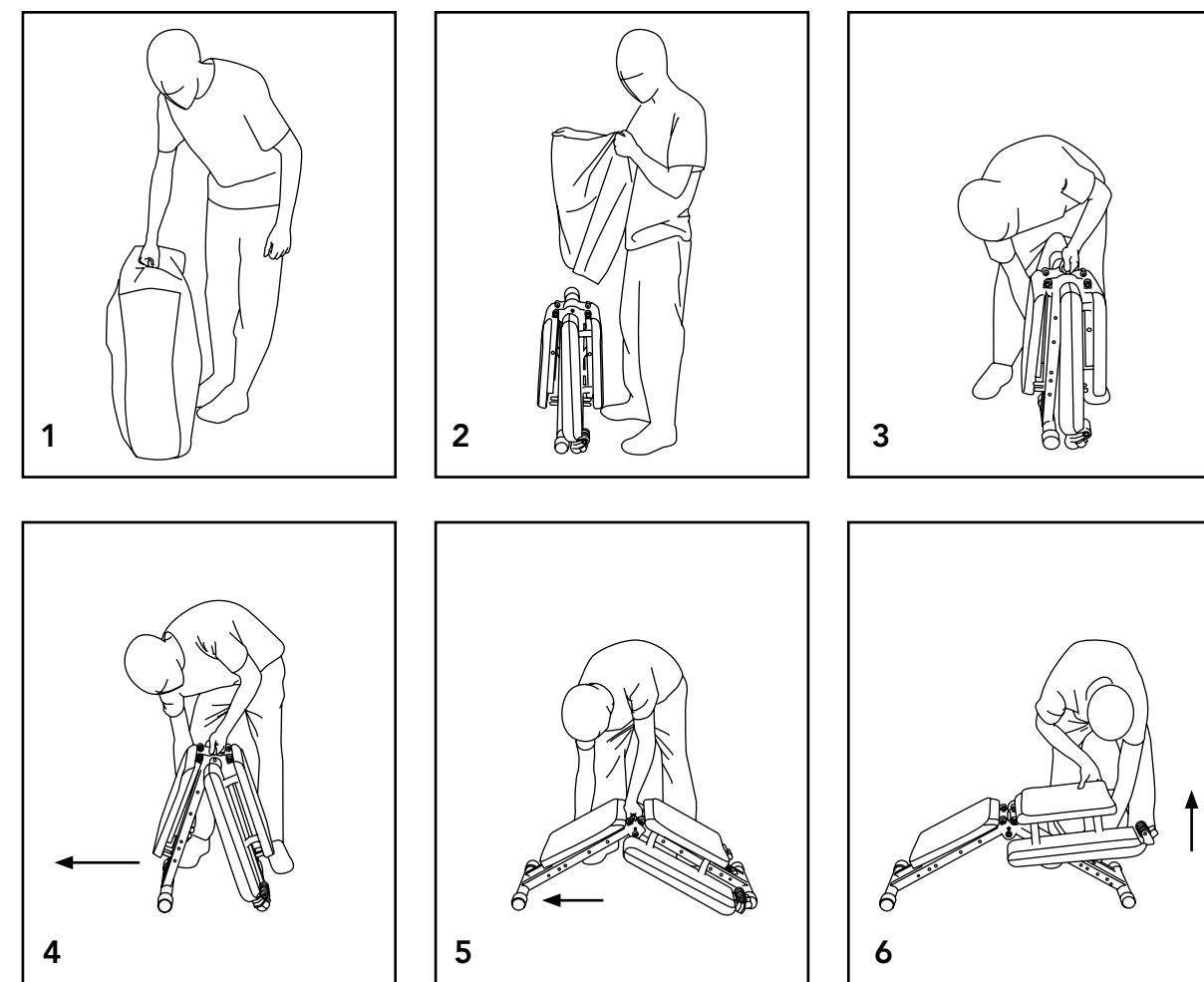
**Important:** Check that the Lock Pin engages fully when released.



### E. Setting Up the Total Flex™

#### Opening the Total Flex™

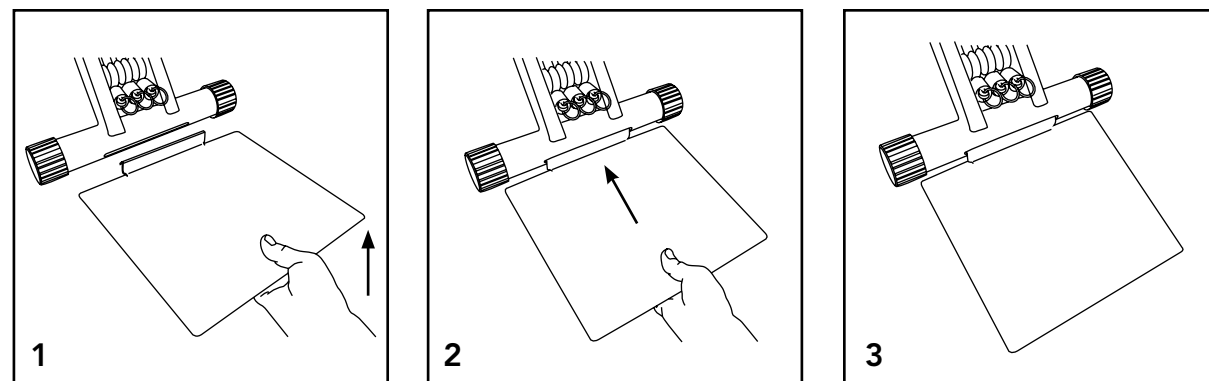
To open the Total Flex™ (see 1 to 6 below), place the Total Flex™ on a level surface (1), remove Cover (optional item) (2), hold the Carry Handle with one hand (3), move the Support Leg with the roller wheels (the leg with no Power Pods) sideways (4) until it is fully opened (5) and adjust the Seat (6).



### Insert the Foot Plate

Hold Foot Plate at a slight angle and then fully insert the "lip section" of the Foot Plate into the Cross Pipe slot (i.e. the Pipe attached to the Power Pod Seat). Lower the Foot Plate to the floor (see below).

**Important: Make sure the Foot Plate is securely located into the slot.**



### Adjusting the Seats

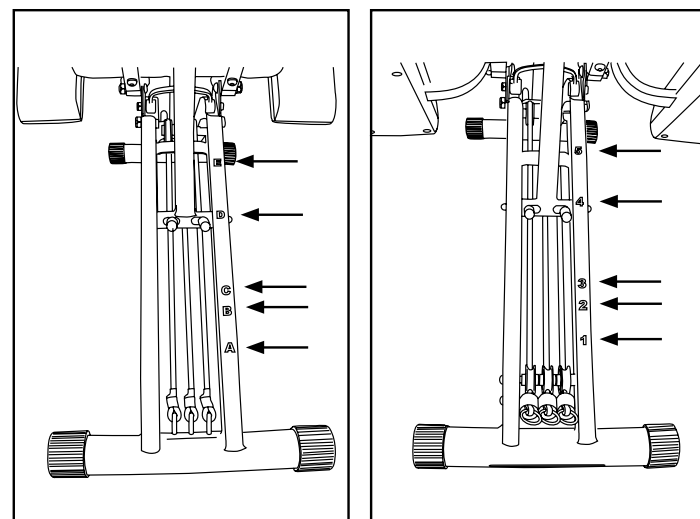
1. To correctly align the body for exercising, the Seats must be adjusted for each exercise as indicated on the Exercise Chart.

2. The Seat positions are indicated on the Support Legs. For the Power Pod Seat, settings are shown in numbers (1, 2, 3, 4 & 5). For the other Seat, settings are indicated by letters (A, B, C, D & E).

**WARNING: MAKE SURE SPRING PIN IS LOCKED IN PLACE BEFORE BEGINNING YOUR EXERCISES.**

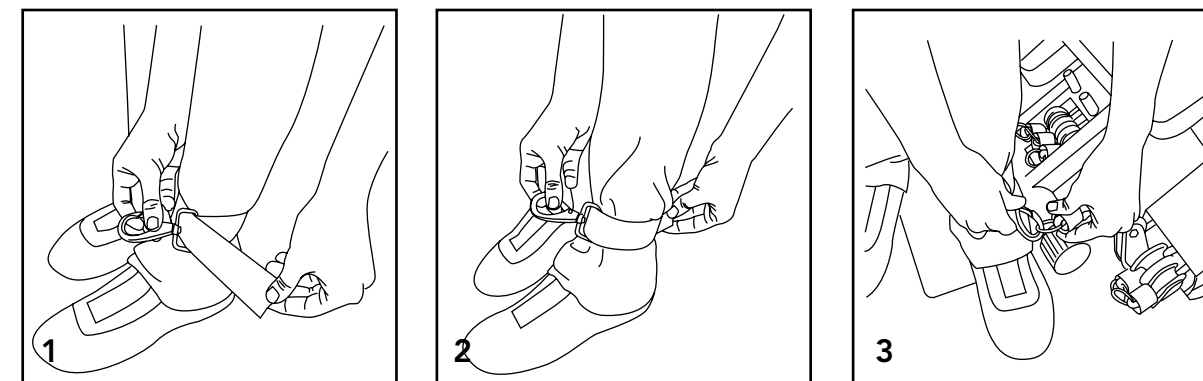
3. For some of the exercises there are 2 suggested Seat positions e.g. 3 & D or 2 & E. The first would be more suitable if you are male and/or tall; the second, if you are female and/or short.

Experiment and choose a setting that will enable you, at the start of the exercise, to hold the Handles with slightly bent arms and with the Resistance Bands starting to engage (beginning to stretch).



### 3. Ankle Cuffs

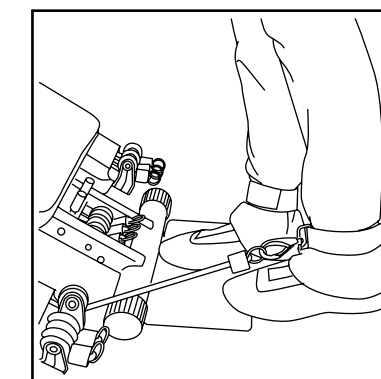
- Secure the Ankle Cuff by looping it around the ankle, thread the end through the metal bracket and bond the hook & loop tape together (see 1 & 2 below).
- Clip the Ankle Cuff onto the O-Ring of one or more Resistance Bands (see 3 below).



### 4. Foot Plate

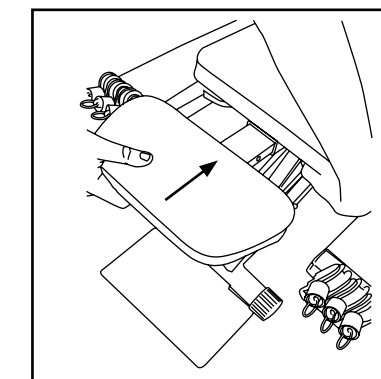
- The Foot Plate is used for performing a number of exercises in a standing position.

**Important: Make sure that one or both feet are firmly and fully placed on the Foot Plate when performing exercises in the standing position. Do not step off the Foot Plate while exercising and when engaging/disengaging the O-Rings to/from the Handle(s) or Ankle Cuff(s).**

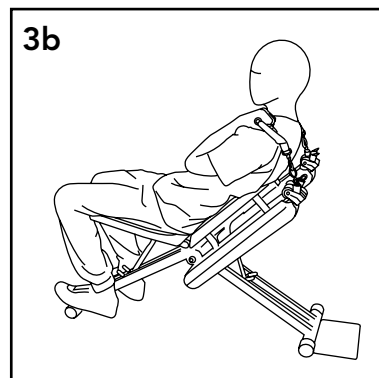
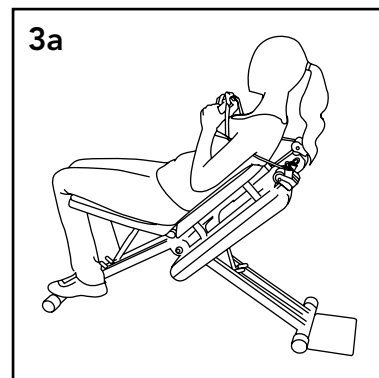


### 5. Head Rest (Optional Item)

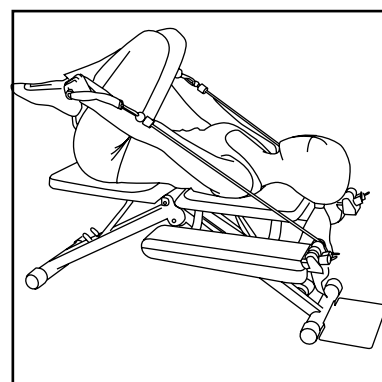
- The Head Rest is used for supporting the head and neck whilst exercising facing upwards.
- Attach the Head Rest by pulling the Lock Pin on the underside of the Power Pod Seat and insert the Head Rest Tube into the Receptor Tube.



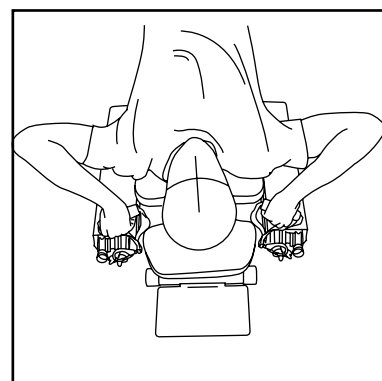
3. When performing abdominal exercises, the Handles can be held next to the chest (see 3a) or above the shoulders (see 3b) (more difficult).



4. When lying in the "Bench Position", especially if you are a female and/ or short, it may be more comfortable to lie with your feet off the floor.



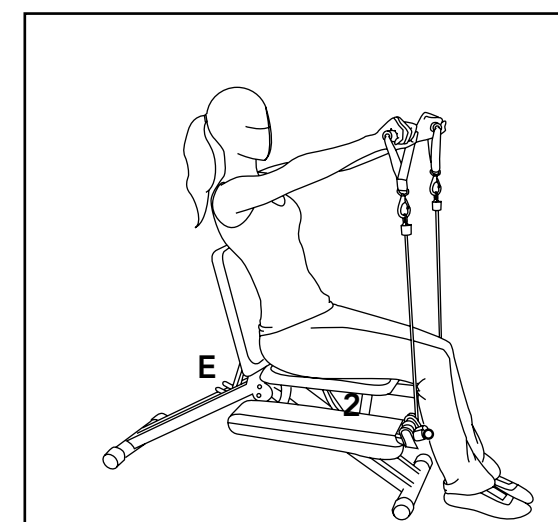
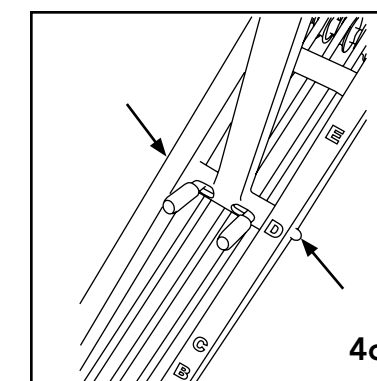
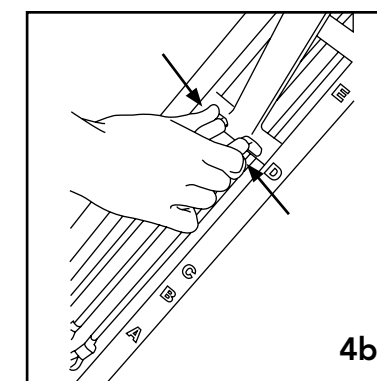
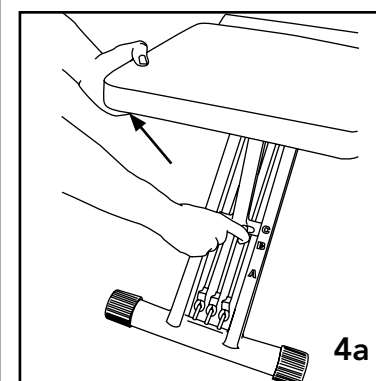
5. With the Seats in the "bench" position (setting B & 2), lay Handles down on the Power Pods. Lie down, reach back and grab Handles with palms facing down. Then commence exercise.



4. To adjust the Seat position for each exercise, place the one hand underneath the Seat (see 4a) and with the other hand, squeeze the Spring Lock together (see 4b), lift or lower the Seat(s) to the desired position, then release the Spring Lock.

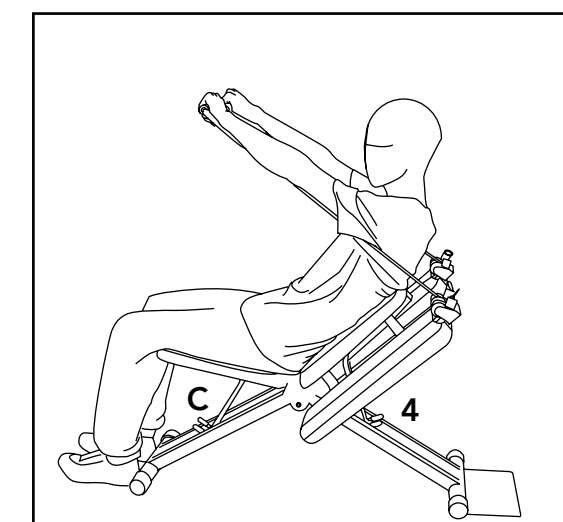
**WARNING: CRUSH HAZARD, KEEP HANDS CLEAR DURING FOLDING.**

**Important:** Make sure that the pins at each side of the Spring Lock are securely engaged in the Receptor Holes along the Leg Support (see 4c).



**Seat Position Example**

Exercise No. 4: Front Raise  
Seat Settings: E & 2



**Seat Position Example**

Exercise No. 12: Chest Press  
Seat Settings: C & 4

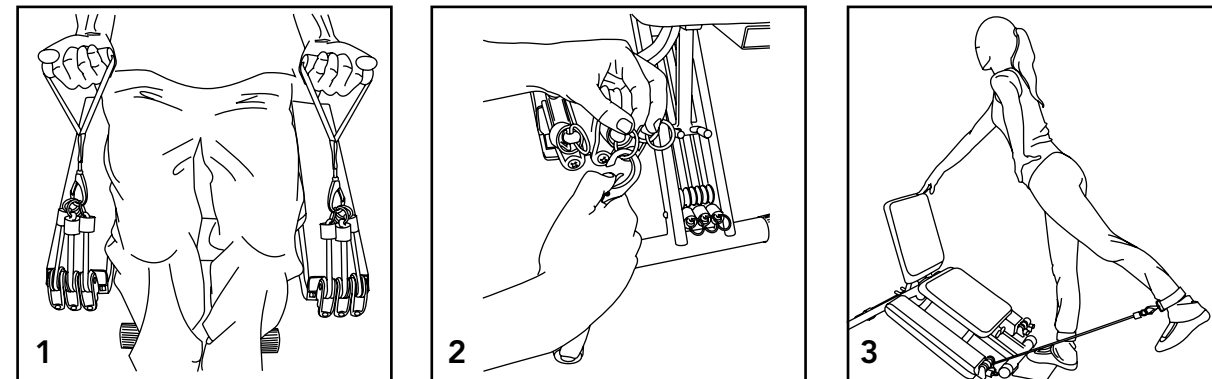
## F. Use of Attachments

The Handles and the Ankle Cuffs connect to the "O-Rings" at the ends of the Resistance Bands (housed in the Power Pods - see below, or connect to the Support Legs – see Leg Extender below)

### 1. Power Pods

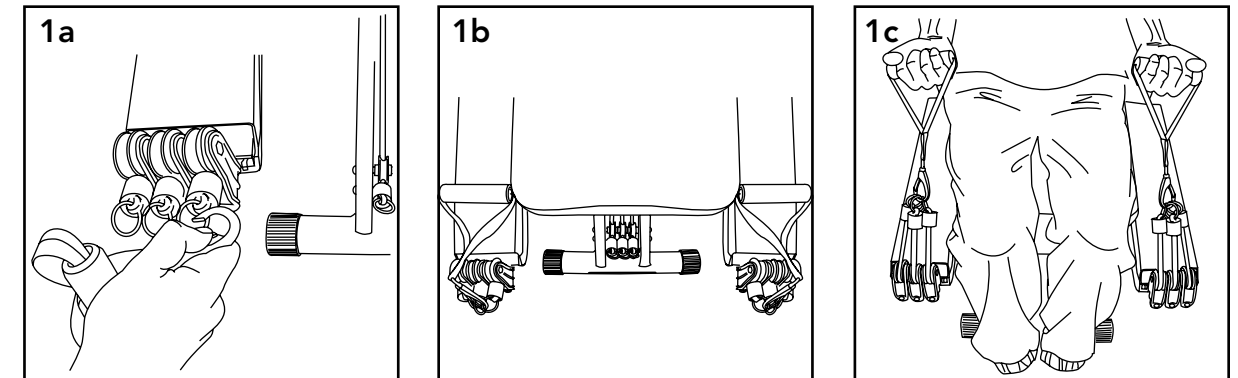
- Each Power Pod holds 3 Resistance Bands, varying in resistance ("weight"): Grey (low resistance), Black (medium resistance) and Red (heavy resistance) (see 1 below).
- Each Resistance Band is fitted with an O-Ring. By clipping the Handles or Ankle Cuff onto one or more of the O-Rings (see 1, 2 & 3 below), the level of exercise resistance can be varied - see Resistance Chart on Exercise Chart.
- When moving the Power Pod Seat (with settings: 1,2,3,4 & 5), the Power Pods (attached to the Seat) move in harmony, allowing the resistance to become suitably aligned to the muscle(s) to be exercised.

**Important:** Do not sit or stand on the Power Pods



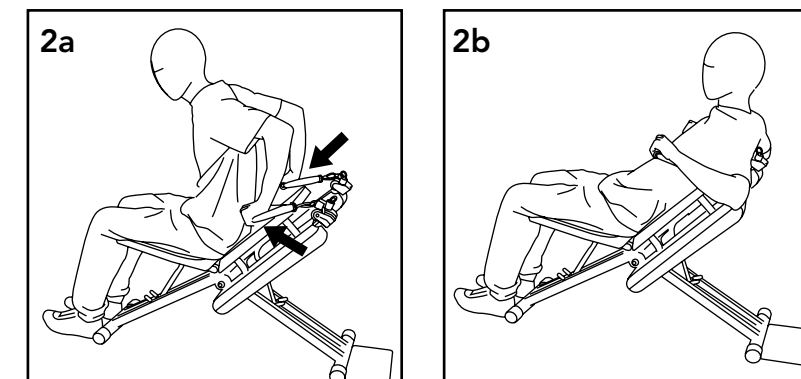
### 2. Handles

- Each Handle is fitted with a metal clip to clip onto one or more of the O-Rings attached to the end of each Resistance Band(s) (see 1a below).
  1. After clipping the Handles onto the O-Rings, it is convenient to place them onto the Power Pods for ease of use (see 1b below).



**Important:** Connect equal resistance to the right and left Handle(s) (see 1c above).

2. When exercising with the one Seat in position D or E, engage resistance, lean slightly forward and take hold of the handles with palms facing downwards (see 2a). Then sit back to exercise (see 2b).





**TOTAL FLEX**™



**THANE Fitness**®

Thane International, Inc.,  
La Quinta, CA 92253  
[www.thane.com](http://www.thane.com)

Thane Direct Canada, Inc.,  
Mississauga, ON  
[www.thane.ca](http://www.thane.ca)

Thane Direct UK, Ltd.,  
Admail ADM3996, London, W1T 1ZU  
[www.thanedirect.co.uk](http://www.thanedirect.co.uk)

© 2010, Thane International, Inc.

TF-Eng.March 8, 2011